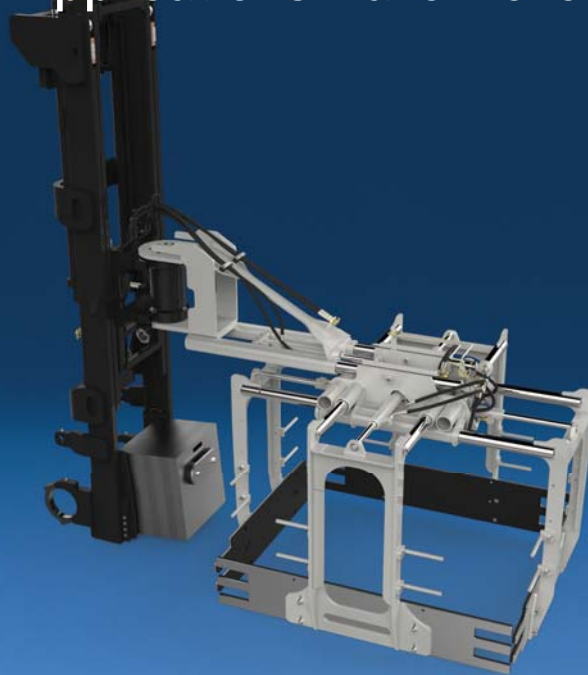


# Layer Picking Applications Have Never Been So Versatile.



Replaceable cylinder mount in boom for easier replacement in field



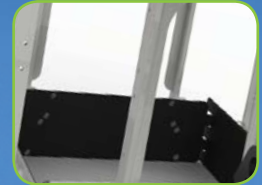
Cross over relief to prevent over clamping



Clamp arm bar brace to prevent bending and twisting from accidental impacts



Clamp leveling turnbuckles to adjust and level the clamp to the load/floor



Reversible pads are dual drilled once the bottom edge wears out, flip it over and use the other side

## APPLICATIONS

Beverage, warehouses, and distribution facilities can benefit from the speed and versatility the Layer Picker offers. When building mixed-load pallets, the Cascade Layer Picker handles single layers or multiple layers of a variety of products, including both canned and bottled product. Replace costly manual labor with the versatile Cascade Layer Picker.

## MODELS

- **Swing Model** Designed for pick line applications. Driver does not need to steer inside the rail just drive forward and back on the rail. The swing frame model comes with our special heavy duty mast and carriage reinforced to withstand the stress of side loading. It swings 90 degrees so you can handle more skus in half the space by being able to pick from both sides of the rail. The only one in the industry that can pick product from either side of the pick line requiring less space.
- **Stationary Side Mount** Used in applications utilizing one-sided pick lines or can move independent of the rail. Sold with our special designed reinforced mast. The Layer Picker moves independently or with a Guide Rail System. This model is fixed in a side mounted position.
- **Stationary Carriage Mount** Requires no guide rail system or special mast. No space limitation. It is fixed in a front mounted position and does not move side to side. Typically used in warehousing operations where loads come in on a truck and they need to be split up into orders.

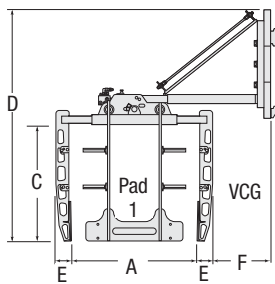
- **Stationary Fork Mount** Conveniently slips on your existing lift truck forks for quick installation and removal for occasional use in applications where the dedication of one truck to the layer picker is not necessary. By mounting it on a sideshifter you get added versatility. No Guide Rail System needed. This model is fixed in a front mounted position.

## OPTIONS

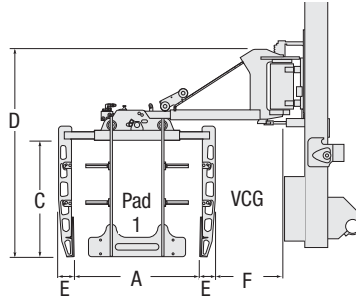
- Lower Fork Carriage
- Center Load Support or "Chimney"
- Interlocking Finger Pads
- Product Guards
- Electronic 90° Stop Group
- Tray Pack Extension Hooks



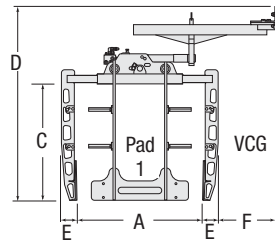
**Stationary Carriage Mount**



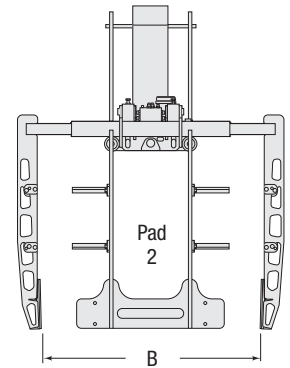
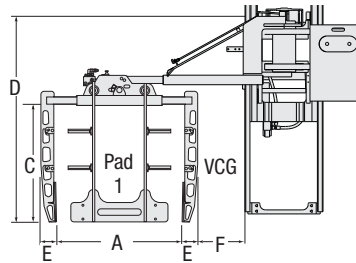
**Swing Model**  
Special mast included.



**Stationary Fork Mount**



**Stationary Side Mount**  
Special mast included.



Catalog Order No.	Capacity @ 24" (600 mm) Load Center		Load Dimensions A x B	Range Dimensions		Max Load Height C	Weight Including Mast		Mounting Class	Pad 1 Size	Pad 2 Size	Overall Lowered Height	Lift Height	Overall Clamp Height D	Arm Width E	Extension F
	lbs	kg		A	B		lbs	kg								
<b>Swing Model</b>																
5C-LPD-EM-0001	1,200	545	40" x 48"	38"-44"	46"-52"	35"	Consult Cascade	N/A	N/A	10" x 38"	10" x 46"	113.7"	87.5"	71.6"	5.0"	19.6"
5C-LPD-EM-0002	1,200	545	40" x 48"	38"-44"	46"-52"	35"	Consult Cascade	N/A	N/A	10" x 38"	10" x 46"	122.7"	105.5"	71.6"	5.0"	19.6"
<b>Swing Model Mono Stage Mast</b>																
5C-LPM-EM-0001	1,200	545	40" x 48"	38"-44"	46"-52"	35"	Consult Cascade	N/A	N/A	10" x 38"	10" x 46"	191.0"	120.0"	71.6"	5.0"	19.6"
<b>Stationary Side Mount</b>																
5C-LPN-EM-0001	1,200	545	40" x 48"	38"-44"	46"-52"	35"	Consult Cascade	N/A	N/A	10" X 38"	10" X 46"	113.7"	87.5"	71.6"	5.0"	19.6"
5C-LPN-EM-0002	1,200	545	40" x 48"	38"-44"	46"-52"	35"	Consult Cascade	N/A	N/A	10" X 38"	10" X 46"	122.7"	105.5"	71.6"	5.0"	19.6"
<b>Stationary Front Carriage Mount</b>																
5C-LPH-2-0001	1,200	545	40" x 48"	38"-44"	46"-52"	35"	Consult Cascade	II/III	II/III	10" X 38"	10" X 46"	N/A	N/A	66.3"	5.0"	2.0"
7C-LPH-2-0001	1,500	680	40" x 48"	38"-44"	46"-52"	35"	Consult Cascade	II/III	II/III	10" X 38"	10" X 46"	N/A	N/A	66.3"	5.0"	2.0"
<b>Stationary Front Fork Mount</b>																
5C-LPF-F-0001	1,200	545	40" x 48"	38"-44"	46"-52"	35"	Consult Cascade	slip-on	slip-on	10" x 38"	10" x 46"	N/A	N/A	57.4"	5.0"	6.5"
7C-LPF-F-0001	1,500	680	40" x 48"	38"-44"	46"-52"	35"	Consult Cascade	slip-on	slip-on	10" x 38"	10" x 46"	N/A	N/A	57.4"	5.0"	6.5"

- ▶ Attachment capacity is a structural rating only. The type of product to be handled as well as the operating conditions must be considered to determine the working capacity for each application. Actual attachment/truck net working capacities must be obtained from the lift truck manufacturer. Only capacity ratings obtained from the lift truck manufacturer may be entered on the truck's nameplate.
- ▶ Consult Cascade for factory installation of Layer Picker attachments which includes models supplied with masts.

**HYDRAULIC FLOW & PRESSURE**

Function	Minimum Flow	Recommended Flow	Maximum Flow	Maximum Pressure
Boom	5 GPM	7 GPM	10 GPM	2,300 PSI
Swing Ⓞ	2 GPM	3.5 GPM	5 GPM	2,300 PSI
Clamp	5 GPM	7 GPM	10 GPM	2,300 PSI
Hoist	7 GPM	11 GPM	15 GPM	2,300 PSI

Ⓞ Only available on Swing Model.

**HYDRAULIC FUNCTIONS**

Model	Hydraulic Functions	Truck Aux. Valves Required
Standard (swing model)	3	2
Additional Carriage (swing model)	4	3
Standard (side mount)	2	1
Standard (carriage & fork mount)	1	1

3-Function requires use of tilt valve and two additional auxiliary valves.  
1-Function requires use of one auxiliary valve.